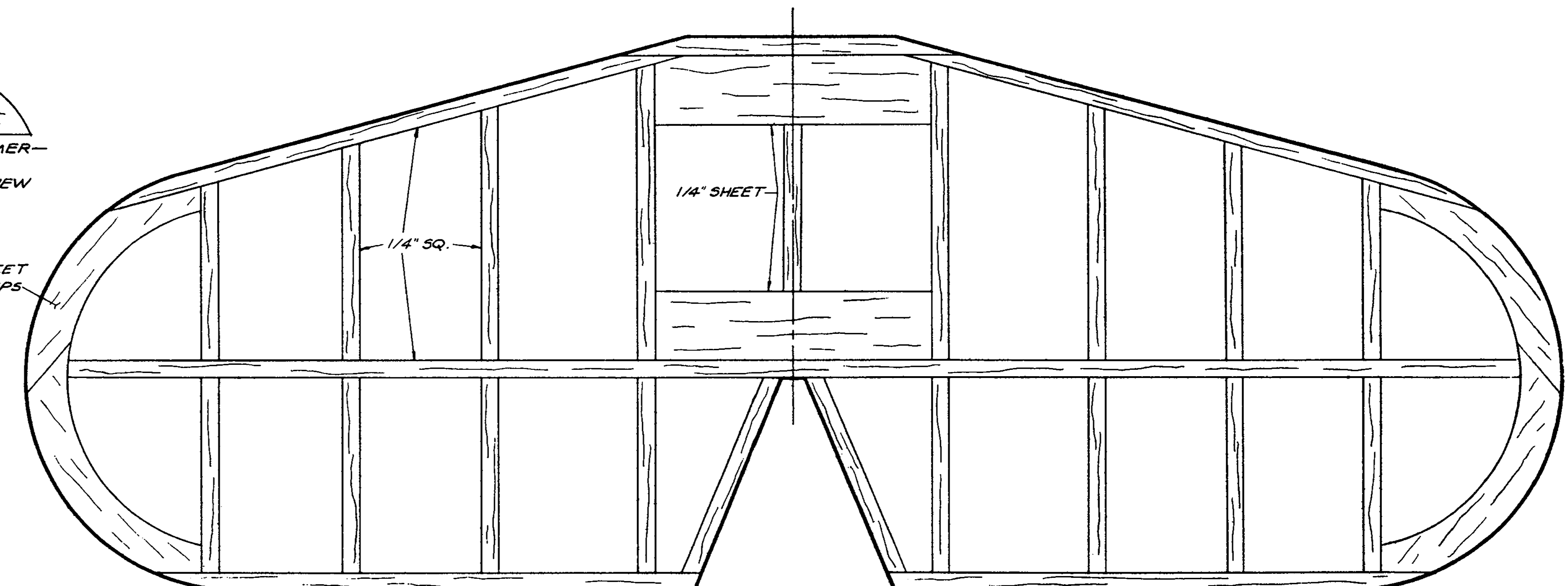
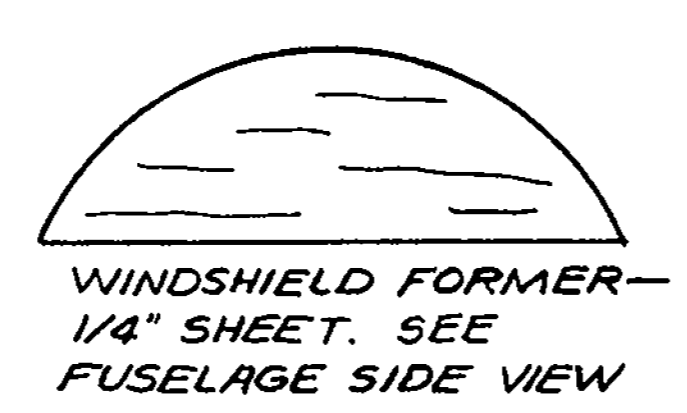
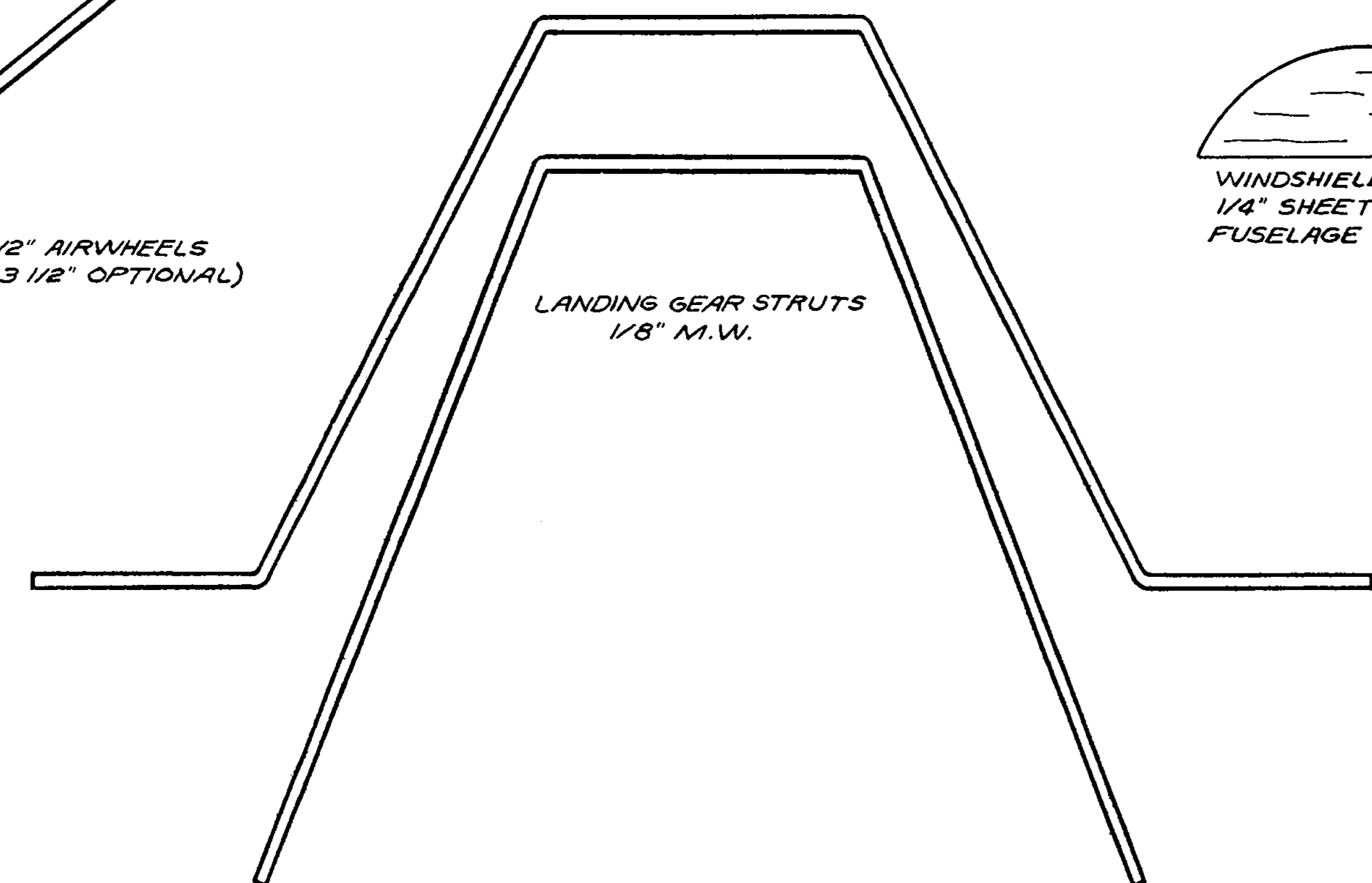
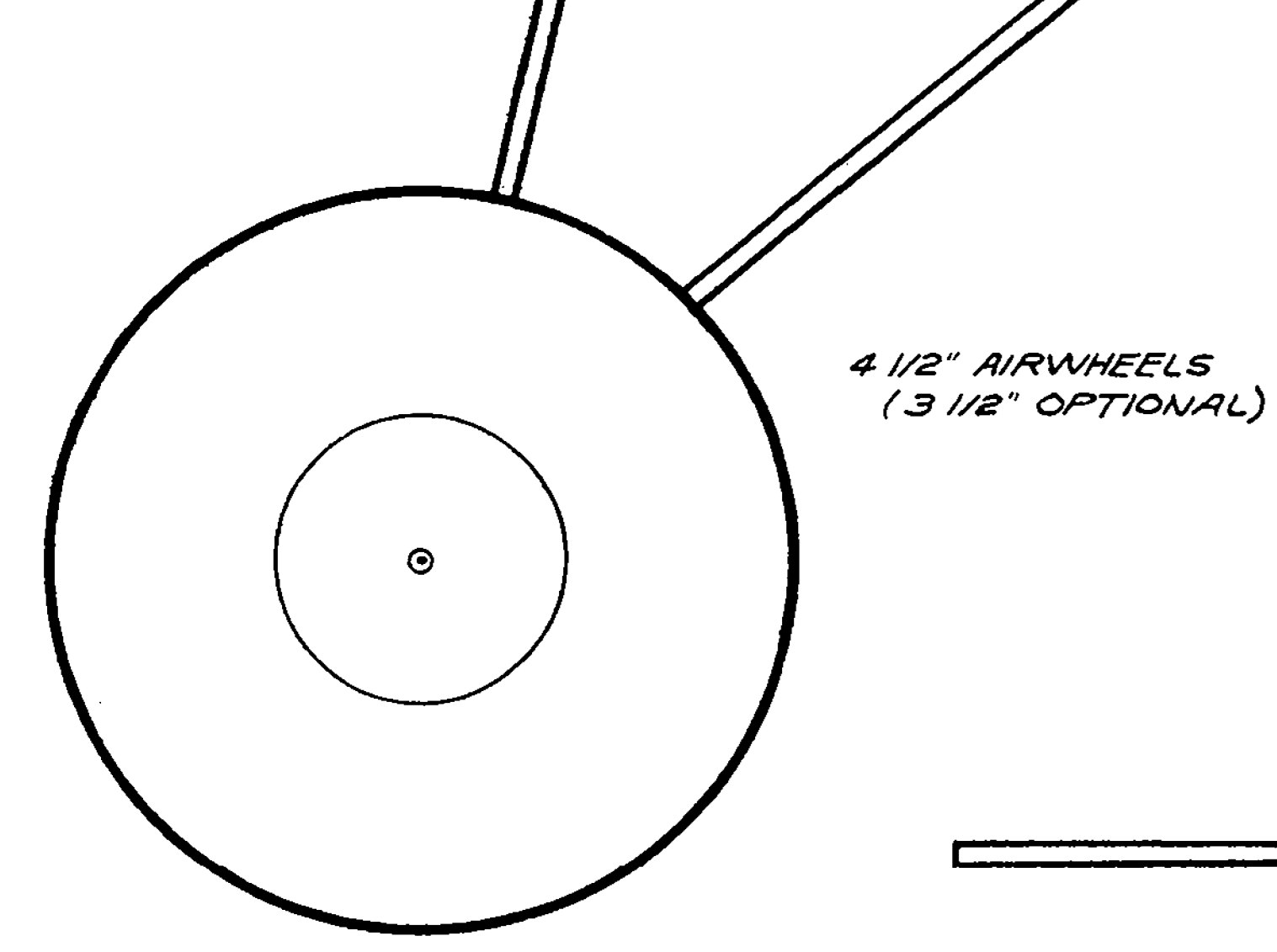
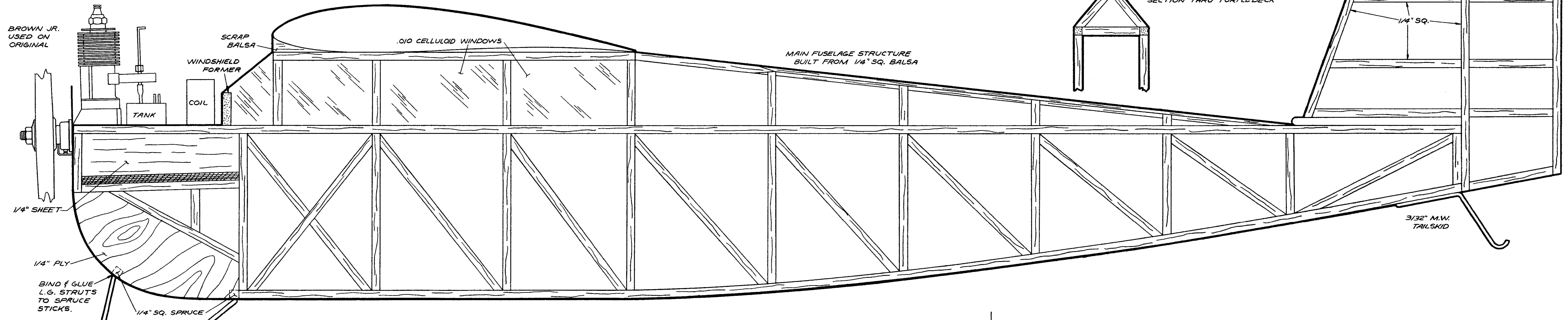
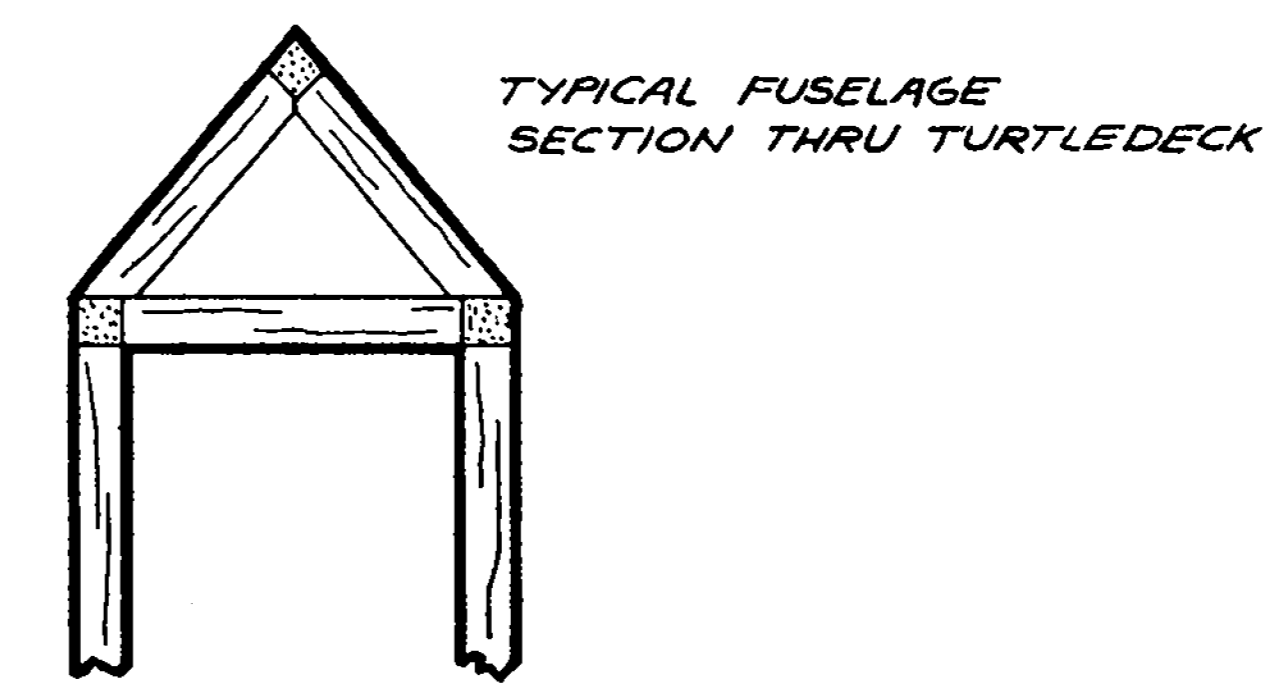
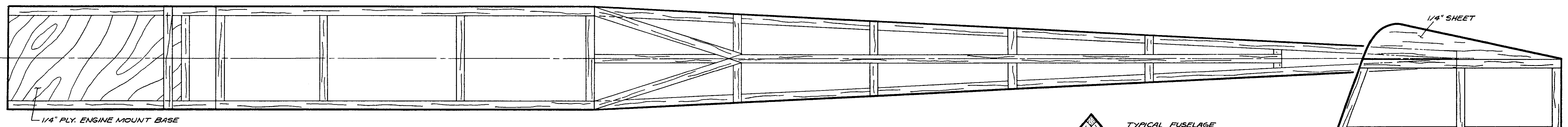


ENGINE MOUNT
CONSTRUCT FROM
HARDWOOD AS SHOWN.
MOUNT IS BOLTED TO
1/4" PLY. MOTOR MOUNT
BASE.

1/16" SHEET RIBS -
23 REQ'D



The MODEL BUILDER/magazine
12322 Del Rey Drive, Santa Ana, California 92705
Plan No. 1173-O.T.
"MISS TRENTON III"
BETTER KNOWN AS THE
"TRENTON TERROR"
DESIGNED BY: MICKEY DeANGELIS
ORIGINALLY BUILT BY: JAMES ONOFRI
PUBLISHED IN APRIL 1938 "FLYING ACES"
DRAWN BY: PHIL BERNHARDT
SPAN - 72" LENGTH - 41" WEIGHT - 430Z.